

Electric forklift

# 16/18/20B-9

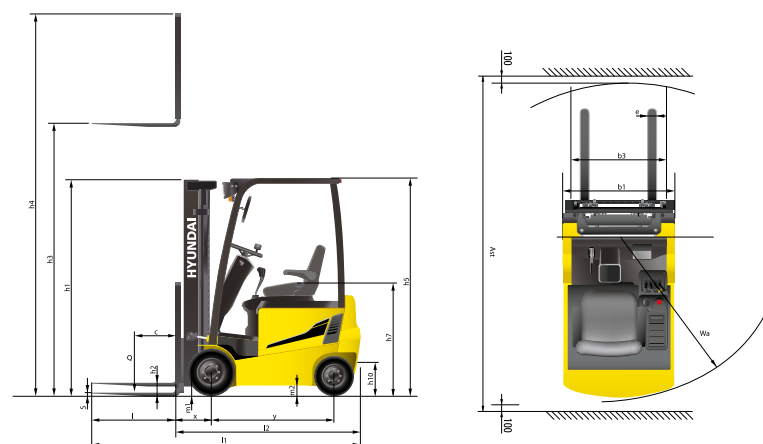


# SPECIFICATIONS

Main characteristics					
1.1	Manufacturer		Hyundai	Hyundai	Hyundai
1.2	Model		16B-9	18B-9	20B-9
1.3	Power type / Electric		Electric	Electric	Electric
1.4	Operator type / Driver-seated		Driver-seated	Driver-seated	Driver-seated
1.5	Load capacity	kg	1,600	1,800	2,000
1.6	Load Center Distance	c mm	500	500	500
1.8	Forward overhang (LMC)	x mm	360	360	365
1.9	Wheel base distance	y mm	1,355	1,440	1,440

Weights					
2.1	Truck weight	kg	3,150	3,275	3,480
2.2	Axle load (w/ front, rear load)	kg	4,200/550	4,478/597	4,850/630
2.3	Axle load (w/o front, rear load)	kg	1,585/1,565	1,603/1,672	1,650/1,830

Tyres & chassis					
3.1	Tyre type: solid (V), pneumatic (P), polyurethane (PE)		SE	SE	SE
3.2	Front tyre size (ø x width)		23X9-10	23x9-10	23x9-10
3.3	Rear tyre size (ø x width)		18x7-8	200 / 50-10	200 / 50-10
3.5	Wheels, number front rear (x = driven wheels)		2x/2	2x/2	2x/2
3.6	Track width (front)	mm	895	905	905
3.7	Track width (rear)	mm	880	880	880



Dimensions					
4.1	Mast/fork carriage tilt forward/backward	degree	5/7	5/7	5/7
4.2	Lowered mast height	h1 mm	2,120	2,129	2,129
4.3	Free lift height	h2 mm	35	35	35
4.4	Lift height	h3 mm	3,300	3,300	3,330
4.5	Extended mast height	h4 mm	4,320	4,320	4,320
4.7	Overhead guard (cabin) height	h5 mm	2,065	2,065	2,065
4.8	Seat height/standing height	h7 mm	1,090	1,090	1,090
4.12	Coupling height	h10 mm	250	250	250
4.19	Overall length	l1 mm	3,235	3,320	3,330
4.20	Length to face of forks	l2 mm	2,035	2,120	2,130
4.21	Overall width	b1 mm	1,074	1,105	1,105
4.22	Fork dimension (length x width x thickness)	s x e x l mm	35x100x1200	35x100x1200	40x100x1200
4.23	Fork carriage ISO 2328, class/type A, B		II/A	II/A	II/A
4.24	Fork carriage width	b3 mm	1,006	1,006	1,006
4.31	Minimum ground clearance (mast)	m1 mm	85	94	94
4.32	Minimum ground clearance (center of wheelbase)	m2 mm	90	90	100
4.33	Intersecting aisle width (pallets 1,000 x 1,200)	ast mm	3,345	3,428	3,443
4.35	Minimum turning radius	Wa mm	1,732	1,809	1,819

Performance data					
5.1	Travel speed, loaded/unloaded	km/h	16/17	16/17	16/17
5.2	Lift speed, loaded/unloaded	mm/s	410/600	410/600	410/600
5.3	Lowering speed, loaded/unloaded	mm/s	500/450	500/450	500/450
5.6	Loaded/unloaded maximum drawbar pull	N	15,102 / 14,759	15,190 / 14,710	14,367 / 14,043
5.8	Loaded/unloaded gradeability	% (°)	29.5 (16.4)	27.5 (15.4)	24.5 (13.8)
5.10	Service brake		Hydraulic	Hydraulic	Hydraulic

Electric motor					
6.1	Drive motor rating S2 60 Min	kW	4.7x2	4.7x2	4.7x2
6.2	Pump motor rating at S3 - 15 %	kW	14.0	14.0	14.0
6.4	Battery voltage, nominal capacity K5	V/Ah	48/525-602	48/525-602	48/525-602
6.5	Battery weight (Min.)	kg	850	950-1,071	950-1,071
6.7	Battery compartment dimensions L/W/H	mm	978/545/635	978/630/635	978/630/635

Additional data					
8.1	Type of drive control	AC	AC	AC	AC

# STANDARD AND OPTIONAL EQUIPMENT

Equipment	STD	OPT
<b>Fork 16/18B-9 (mm)</b>		
35X100X750		•
35X100X850		•
35X100X900		•
35X100X1050		•
35X100X1200	•	
35X100X1350		•
35X100X1500		•
<b>Fork 120B-9 (mm)</b>		
40X100X900, 950, 1000, 1050, 1150, 1200(STD), 1350, 1500, 1600		•
40X100X950		•
40X100X1000		•
40X100X1050		•
40X100X1150		•
40X100X1200	•	
40X100X1350		•
40X100X1500		•
40X100X1600		•
Integral Sideshift / Hook-on Sideshift		•

Equipment	STD	OPT
<b>Tyre</b>		
Solid		•
Non-marking / Wide tire [16B-9 : Front tire (200 / 50-10)]		•
<b>M.C.V.:</b>		
3-spool	•	
4-spool		•
Auto fork leveling		•
Beacon lamp		•
Work lamp: LED		•
Load indicator		•
Direction switch on steering column		•
Basic cold storage (for -30°C cold working environments)		•
<b>Various cabin options</b>		
Drive-in		•
Rack head guard		•
Radio/USB		•

Please contact your local dealer for more optional equipment

# MAST SPECIFICATIONS

16B-9													
Mast type	Maximum fork height	Maximum mast height, extended with backrest	Overall height (lowered)	Free lift height			Tilt angle		Load capacity w/o side -shift	Load capacity hook-on side-shift	Maximum lifting height with rated capacity STD attachment	Truck weight (unloaded)	
				With load backrest	Without load backrest	Without load backrest (3/4-SPOOL)	Fwd	Bwd					
				mm	mm	mm	deg	deg					
2-stage limited free lift	V250	2,525	3,520	1,720	35	35	35	5	7	1,600	1,530	2,525	3,098
	V270	2,725	3,720	1,820	35	35	35	5	7	1,600	1,530	2,725	3,110
	V300	3,025	4,020	1,970	35	35	35	5	7	1,600	1,530	3,025	3,130
	*V330	3,325	4,320	2,120	35	35	35	5	7	1,600	1,530	3,325	3,150
	V350	3,525	4,520	2,220	35	35	35	5	7	1,600	1,530	3,525	3,163
	V370	3,725	4,720	2,320	35	35	35	5	7	1,600	1,530	3,725	3,176
	V400	4,025	5,020	2,470	35	35	35	5	7	1,550	1,490	3,600	3,201
	V450	4,525	5,520	2,820	35	35	35	5	5	1,500	1,440	3,400	3,268
	V500	5,025	6,020	3,070	35	35	35	5	5	1,400	1,340	3,300	3,302
	V550	5,525	6,520	3,320	35	35	35	5	5	1,350	1,300	3,200	3,322
2-stage full free lift	VFV/S300	3,025	4,023	1,970	972	1,479	1,339	5	5	1,600	1,530	3,025	3,169
	VFV/S330	3,325	4,323	2,120	1,122	1,629	1,489	5	5	1,600	1,530	3,325	3,190
	VF350	3,525	4,523	2,220	1,222	1,729	1,589	5	5	1,600	1,530	3,525	3,205
3-stage full free lift	TF370	3,735	4,733	1,770	772	1,205	1,065	5	5	1,550	1,490	3,300	3,246
	TF400	4,035	5,033	1,870	872	1,305	1,165	5	5	1,500	1,440	3,200	3,266
	TF430	4,335	5,333	1,970	972	1,405	1,265	5	5	1,475	1,420	3,100	3,285
	TF450	4,535	5,533	2,070	1,072	1,555	1,415	5	5	1,450	1,390	3,000	3,305
	TF470	4,735	5,733	2,120	1,122	1,555	1,415	5	5	1,425	1,370	2,950	3,315
	TF500	5,035	6,033	2,220	1,222	1,655	1,515	5	5	1,400	1,340	2,900	3,335
	TF550	5,535	6,533	2,420	1,422	1,905	1,765	5	5	1,325	1,300	2,800	3,375
	TF600	6,035	7,033	2,620	1,622	2,105	1,965	5	5	1,250	1,200	2,700	3,438
	TF650	6,535	7,533	2,820	1,822	2,285	2,145	3	3	1,050	1,000	2,600	3,483
	TF700	7,035	7,999	3,020	2,022	2,465	2,325	3	3	900	860	2,500	3,522
	TS430	4,335	5,333	1,970	972	1,307	1,137	5	5	1,475	1,420	3,100	3,285
	TS450	4,535	5,533	2,070	1,072	1,457	1,287	5	5	1,450	1,390	3,000	3,305
	TS470	4,735	5,733	2,120	1,122	1,457	1,287	5	5	1,425	1,370	2,950	3,315
	TS500	5,035	6,033	2,220	1,222	1,557	1,387	5	5	1,400	1,340	2,900	3,335
	TS550	5,535	6,533	2,420	1,422	1,807	1,637	5	5	1,325	1,300	2,800	3,375
	TS600	6,035	7,033	2,620	1,622	2,007	1,837	5	5	1,250	1,200	2,700	3,438
	TS650	6,535	7,533	2,820	1,822	2,187	2,017	3	3	1,050	1,000	2,600	3,483
TS700	7,035	7,999	3,020	2,022	2,367	2,197	3	3	900	860	2,500	3,522	

\* TS-Mast : wide visible 3-stage full free lift mast with 2 free lift cylinders.

\* : Standard

# MAST SPECIFICATIONS

18B-9													
Mast type	Maximum fork height	Maximum mast height, extended with backrest	Overall height (lowered)	Free lift height			Tilt angle		Load capacity w/o side -shift	Load capacity hook-on side-shift	Maximum lifting height with rated capacity STD attachment	Truck weight (unloaded)	
				With load backrest	Without load backrest	Without load backrest (3/4-SPOOL)	Fwd	Bwd					
				mm	mm	mm	deg	deg					
2-stage limited free lift	V250	2,525	3,520	1,729	35	35	35	5	7	1,800	1,730	2,525	3,223
	V270	2,725	3,720	1,829	35	35	35	5	7	1,800	1,730	2,725	3,235
	V300	3,025	4,020	1,979	35	35	35	5	7	1,800	1,730	3,025	3,255
	*V330	3,325	4,320	2,129	35	35	35	5	7	1,800	1,730	3,325	3,275
	V350	3,525	4,520	2,229	35	35	35	5	7	1,800	1,730	3,525	3,288
	V370	3,725	4,720	2,329	35	35	35	5	7	1,800	1,730	3,725	3,301
	V400	4,025	5,020	2,479	35	35	35	5	7	1,800	1,730	4,025	3,325
	V450	4,525	5,520	2,829	35	35	35	5	5	1,750	1,680	3,800	3,393
	V500	5,025	6,020	3,079	35	35	35	5	5	1,650	1,590	3,500	3,426
	V550	5,525	6,520	3,329	35	35	35	5	5	1,600	1,540	3,200	3,446
2-stage full free lift	VFV/S300	3,025	4,023	1,979	981	1,479	1,339	5	5	1,800	1,730	3,025	3,293
	VFV/S330	3,325	4,323	2,129	1,131	1,629	1,489	5	5	1,800	1,730	3,325	3,315
	VF350	3,525	4,523	2,229	1,231	1,729	1,589	5	5	1,800	1,730	3,525	3,330
3-stage full free lift	TF370	3,735	4,733	1,779	781	1,205	1,065	5	5	1,800	1,730	3,735	3,370
	TF400	4,035	5,033	1,879	881	1,305	1,165	5	5	1,750	1,690	3,700	3,390
	TF430	4,335	5,333	1,979	981	1,405	1,265	5	5	1,725	1,660	3,500	3,410
	TF450	4,535	5,533	2,079	1,081	1,555	1,415	5	5	1,700	1,640	3,300	3,429
	TF470	4,735	5,733	2,129	1,131	1,555	1,415	5	5	1,650	1,590	3,100	3,440
	TF500	5,035	6,033	2,229	1,231	1,655	1,515	5	5	1,600	1,540	2,900	3,460
	TF550	5,535	6,533	2,429	1,431	1,905	1,765	5	5	1,500	1,450	2,800	3,499
	TF600	6,035	7,033	2,629	1,631	2,105	1,965	5	5	1,350	1,300	2,700	3,563
	TF650	6,535	7,533	2,829	1,831	2,285	2,145	3	3	1,300	1,250	2,500	3,608
	TF700	7,035	7,999	3,029	2,031	2,499	2,359	3	3	1,050	1,010	2,400	3,646
	TS430	4,335	5,333	1,979	981	1,307	1,137	5	5	1,725	1,660	3,500	3,410
	TS450	4,535	5,533	2,079	1,081	1,457	1,287	5	5	1,700	1,640	3,300	3,429
	TS470	4,735	5,733	2,129	1,131	1,457	1,287	5	5	1,650	1,590	3,100	3,440
	TS500	5,035	6,033	2,229	1,231	1,557	1,387	5	5	1,600	1,540	2,900	3,460
	TS550	5,535	6,533	2,429	1,431	1,807	1,637	5	5	1,500	1,450	2,800	3,499
	TS600	6,035	7,033	2,629	1,631	2,007	1,837	5	5	1,350	1,300	2,700	3,563
	TS650	6,535	7,533	2,829	1,831	2,187	2,017	3	3	1,300	1,250	2,500	3,608
TS700	7,035	7,999	3,029	2,031	2,367	2,197	3	3	1,050	1,010	2,400	3,646	

\* TS-Mast : wide visible 3-stage full free lift mast with 2 free lift cylinders.

\* : Standard

# MAST SPECIFICATIONS

20B-9											
Mast type	Maximum fork height	Overall height (lowered)	Free lift height			Tilt angle		Load capacity w/o side-shift		Load capacity hook-on side-shift	Truck weight (unloaded)
			With load backrest	Without load backrest	Without load backrest (3/4-SPOOL)	Fwd	Bwd	500 mm LC	500 mm LC		
			mm	mm	mm	deg	deg	kg	kg		
2-stage limited free lift	V250	2,530	1,729	40	40	40	5	7	2,000	1,930	3,428
	V270	2,730	1,829	40	40	40	5	7	2,000	1,930	3,440
	V300	3,030	1,979	40	40	40	5	7	2,000	1,930	3,460
	*V330	3,330	2,129	40	40	40	5	7	2,000	1,930	3,480
	V350	3,530	2,229	40	40	40	5	7	2,000	1,930	3,493
	V370	3,730	2,329	40	40	40	5	7	2,000	1,920	3,506
	V400	4,030	2,479	40	40	40	5	7	2,000	1,920	3,531
	V450	4,530	2,829	40	40	40	5	5	1,925	1,860	3,598
	V500	5,030	3,079	40	40	40	5	5	1,850	1,790	3,632
	V550	5,530	3,329	40	40	40	5	5	1,775	1,710	3,652
2-stage full free lift	VFV/S300	3,030	1,979	986	1,484	1,280	5	5	2,000	1,930	3,499
	VFV/S330	3,330	2,129	1,136	1,634	1,430	5	5	2,000	1,930	3,520
	VF350	3,530	2,229	1,236	1,734	1,530	5	5	2,000	1,930	3,535
3-stage full free lift	TF370	3,740	1,779	786	1,210	1,006	5	5	2,000	1,930	3,576
	TF400	4,040	1,879	886	1,310	1,106	5	5	1,950	1,880	3,596
	TF430	4,340	1,979	986	1,410	1,206	5	5	1,925	1,860	3,615
	TF450	4,540	2,079	1,086	1,560	1,406	5	5	1,900	1,840	3,635
	TF470	4,740	2,129	1,136	1,560	1,356	5	5	1,850	1,790	3,645
	TF500	5,040	2,229	1,236	1,660	1,456	5	5	1,800	1,750	3,665
	TF550	5,540	2,429	1,436	1,910	1,756	5	5	1,700	1,640	3,705
	TF600	6,040	2,629	1,636	2,110	1,956	5	5	1,600	1,540	3,768
	TF650	6,540	2,829	1,836	2,290	2,116	3	3	1,300	1,250	3,813
	TF700	7,040	3,029	2,036	2,504	2,344	3	3	1,150	1,100	3,852
	TS430	4,340	1,979	986	1,312	980	5	5	1,925	1,860	3,615
	TS450	4,540	2,079	1,086	1,462	1,180	5	5	1,900	1,840	3,635
	TS470	4,740	2,129	1,136	1,462	1,130	5	5	1,850	1,790	3,645
	TS500	5,040	2,229	1,236	1,562	1,230	5	5	1,800	1,750	3,665
	TS550	5,540	2,429	1,436	1,812	1,530	5	5	1,700	1,640	3,705
	TS600	6,040	2,629	1,636	2,012	1,730	5	5	1,600	1,540	3,768
	TS650	6,540	2,829	1,836	2,192	1,890	3	3	1,300	1,250	3,813
TS700	7,040	3,029	2,036	2,372	2,050	3	3	1,150	1,100	3,852	

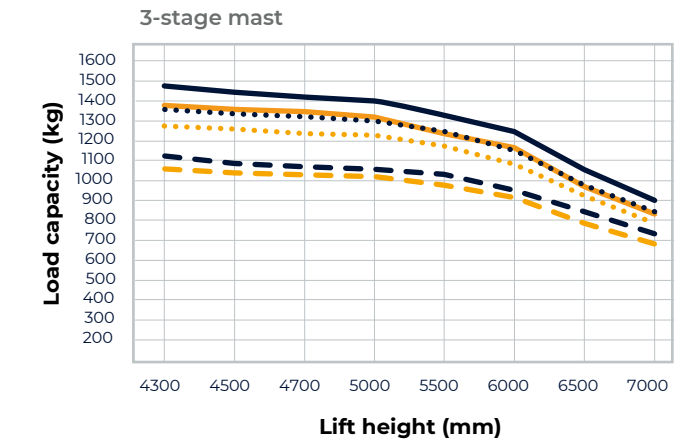
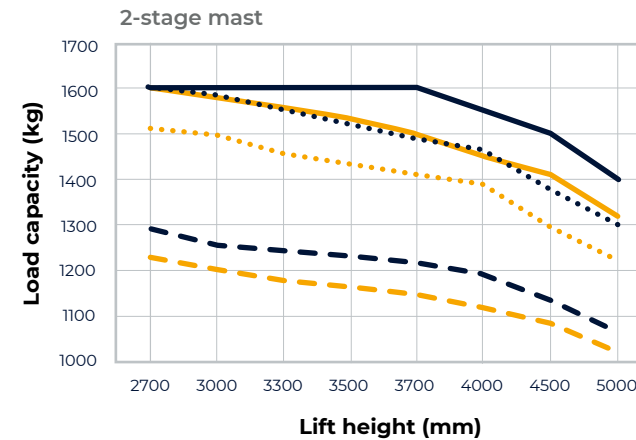
\* TS-Mast : wide visible 3-stage full free lift mast with 2 free lift cylinders.

\* : Standard

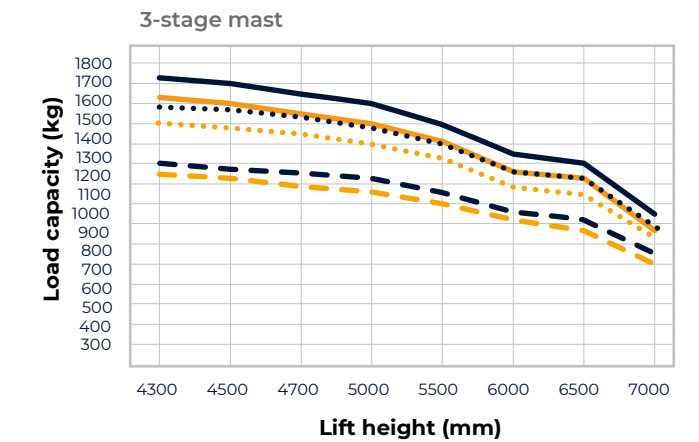
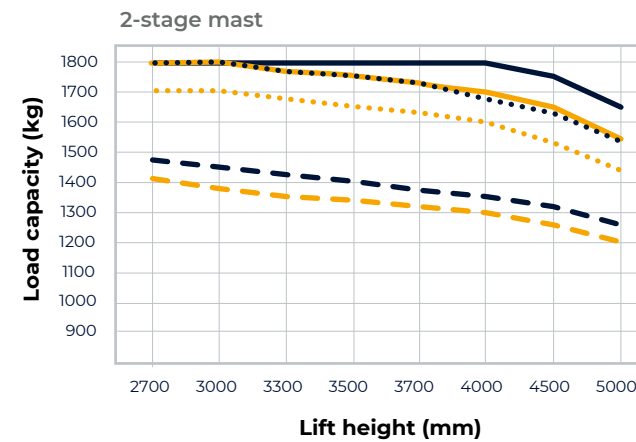
# LOAD CAPACITY

- LC500 mm Intergrated side shift
- LC500 mm No attachment
- LC600 mm Intergrated side shift
- LC600 mm No attachment
- - - LC1000 mm Intergrated side shift
- - - LC1000 mm No attachment

## 16B-9



## 18B-9



## 20B-9

